

Driver: _____

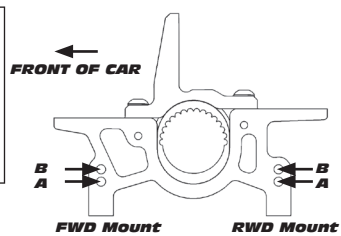
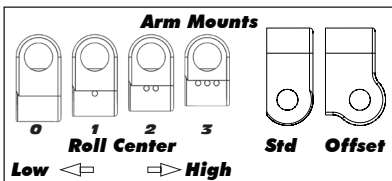
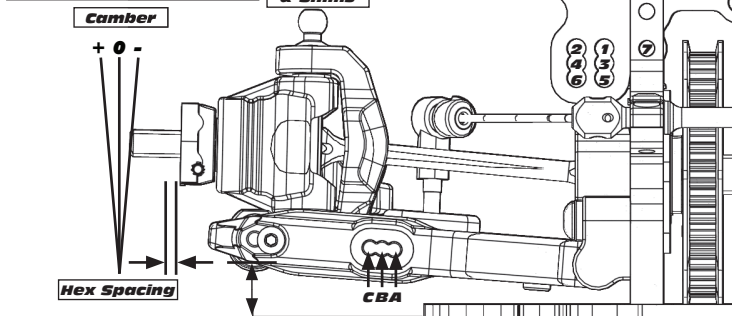
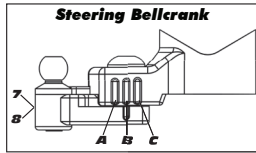
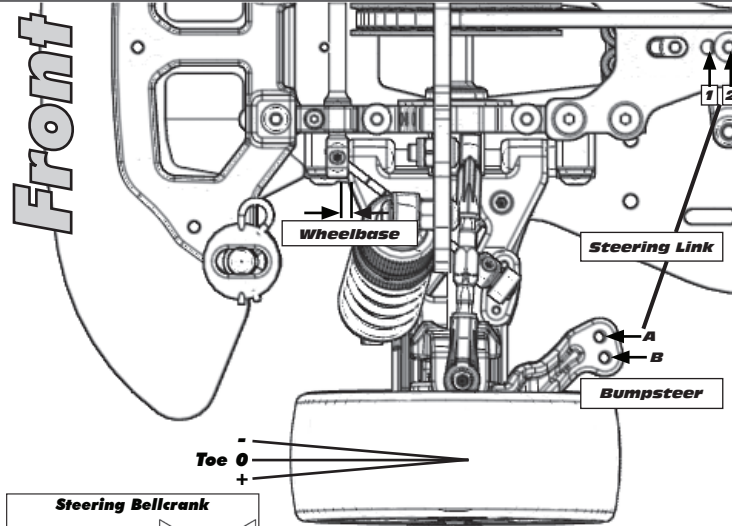
Date: _____

Tracks: _____

Events: _____

Conditions: _____

Rev:2



Transmitter

Turning Circle: _____

Steering Expo: _____

Brake E.P. : _____

Throttle Expo: _____

Motor _____

Notes: _____

Speed Control

E.S.C. Type: _____

E.S.C. Settings: _____ S.W. Ver. _____

Gearing _____

Notes: _____

Front	Alignment	Rear
	Ride Height	
	Camber	
	Caster	N/A
N/A	Rear Hub Toe	
	Toe (Total)	
	Hex Spacing	
	Wheelbase	
	Steering Bellcrank	N/A
	Steering Link	N/A
	Bumpsteer	N/A

Notes: _____

Suspension Geometry	
	Shock Position
	Camber Link Position
	Inner Ball & Shims
	Outer Ball & Shims
	FWD Arm Mount
	FWD Mount Shim
	RWD Arm Mount
	RWD Mount Shims
	Droop
	Anti-Roll Bar

Notes: _____

Shocks	
	Oil
	Piston
	Rebound
	Spring

Notes: _____

Differentials	
	Type
	Setting
	Cam Holder
	Belt Tension Number

Notes: _____

Tires	
	Type
	Tire Diameter
	Insert & Wheel
	Additive & Amount

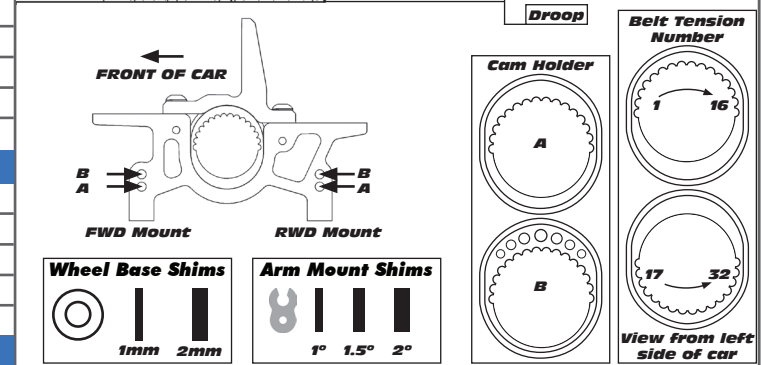
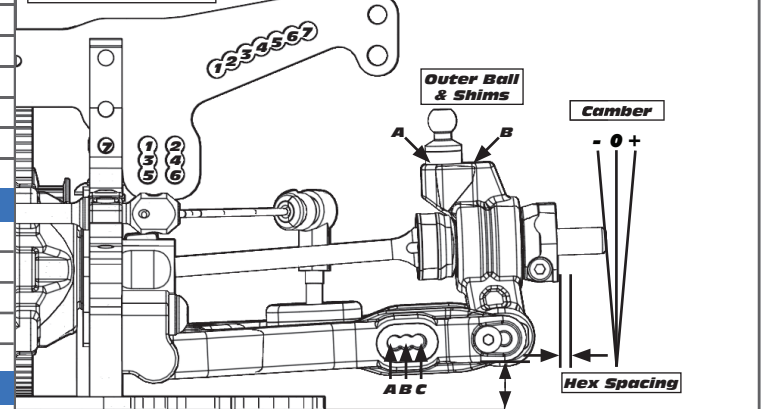
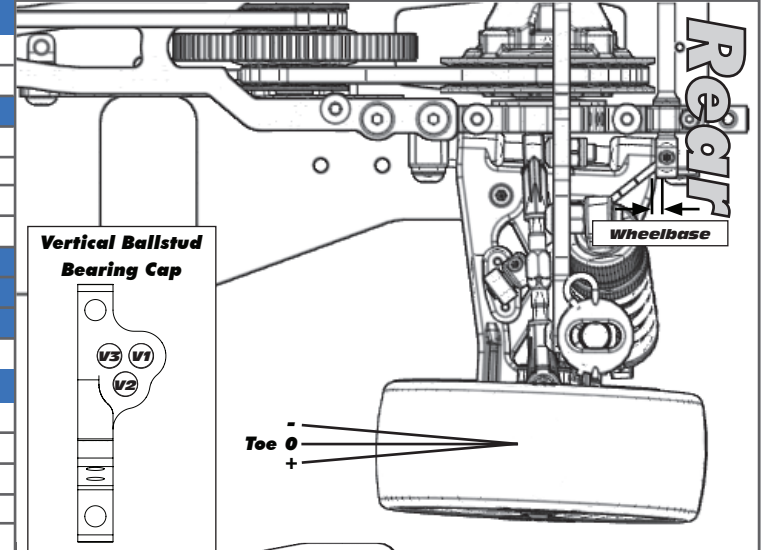
Notes: _____

Chassis

Chassis _____

Top Plate _____

Notes: _____



Battery Placement

Notes: _____

Body & Wing

Notes: _____